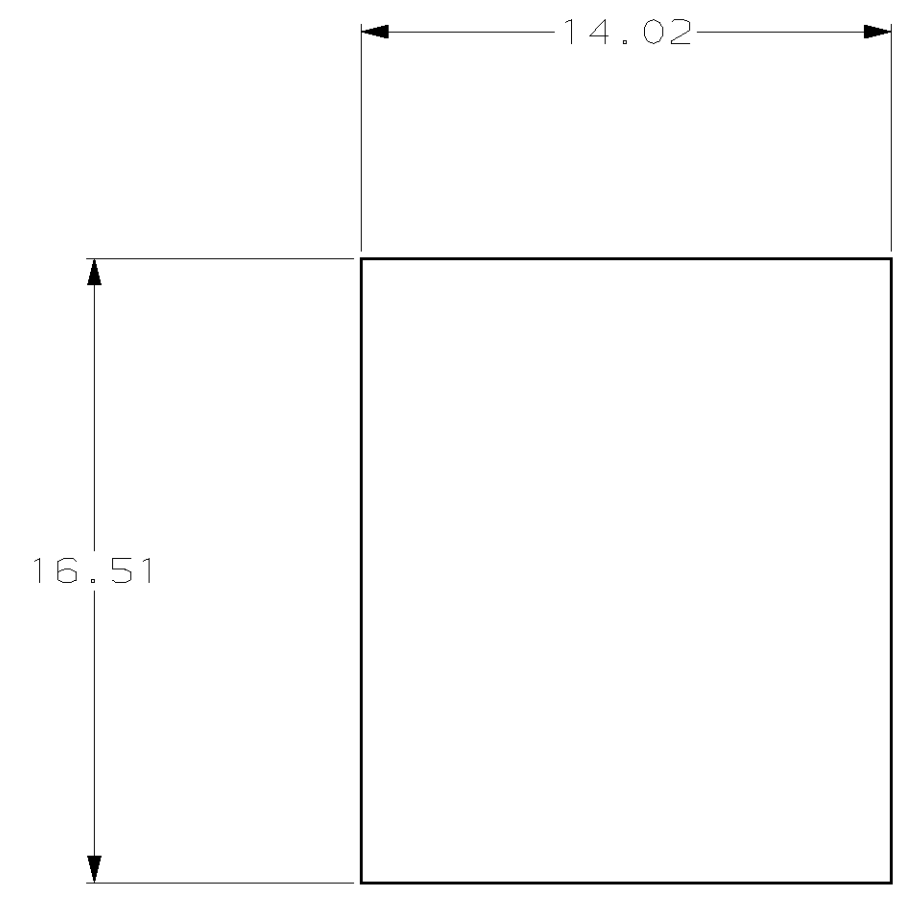
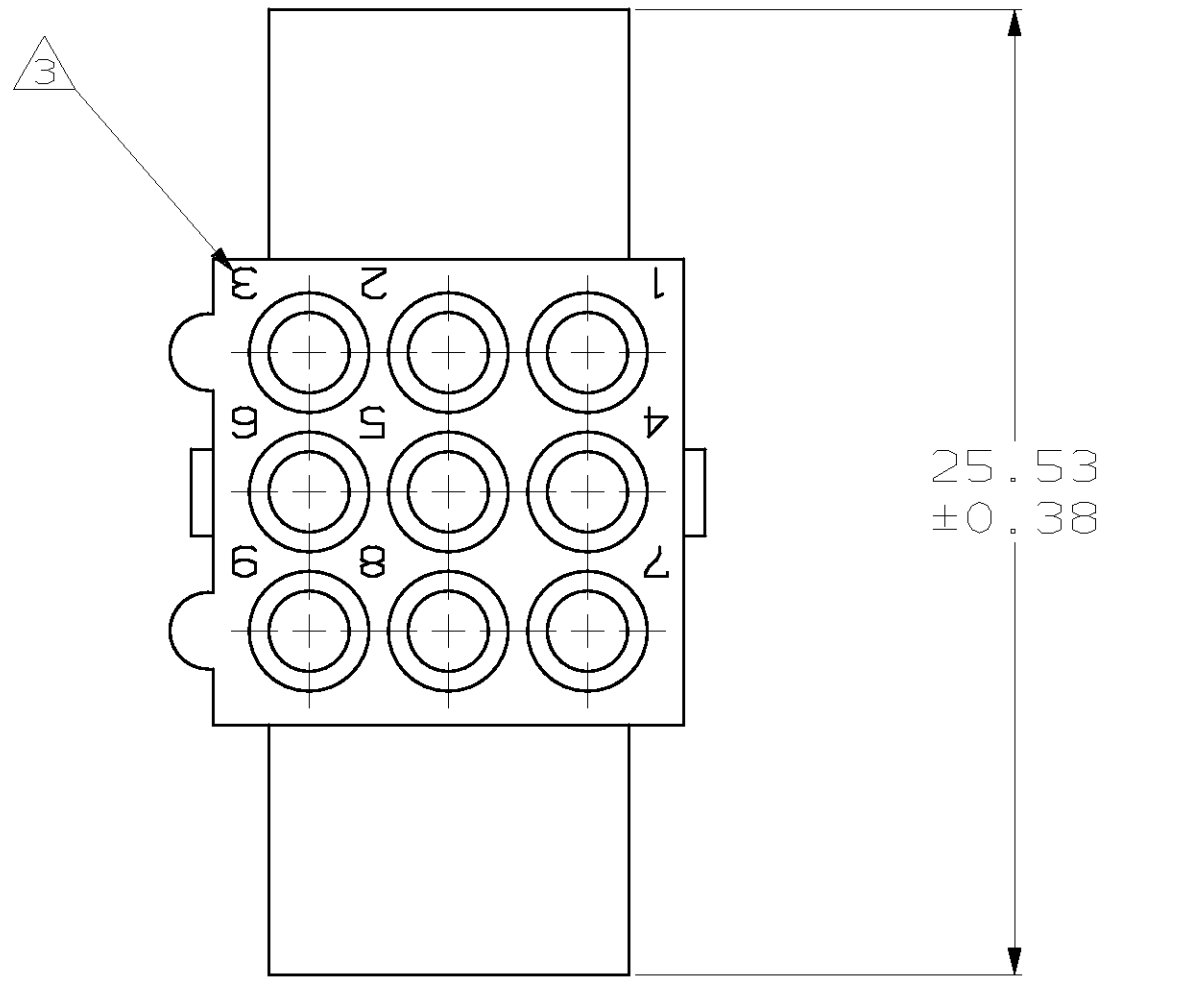
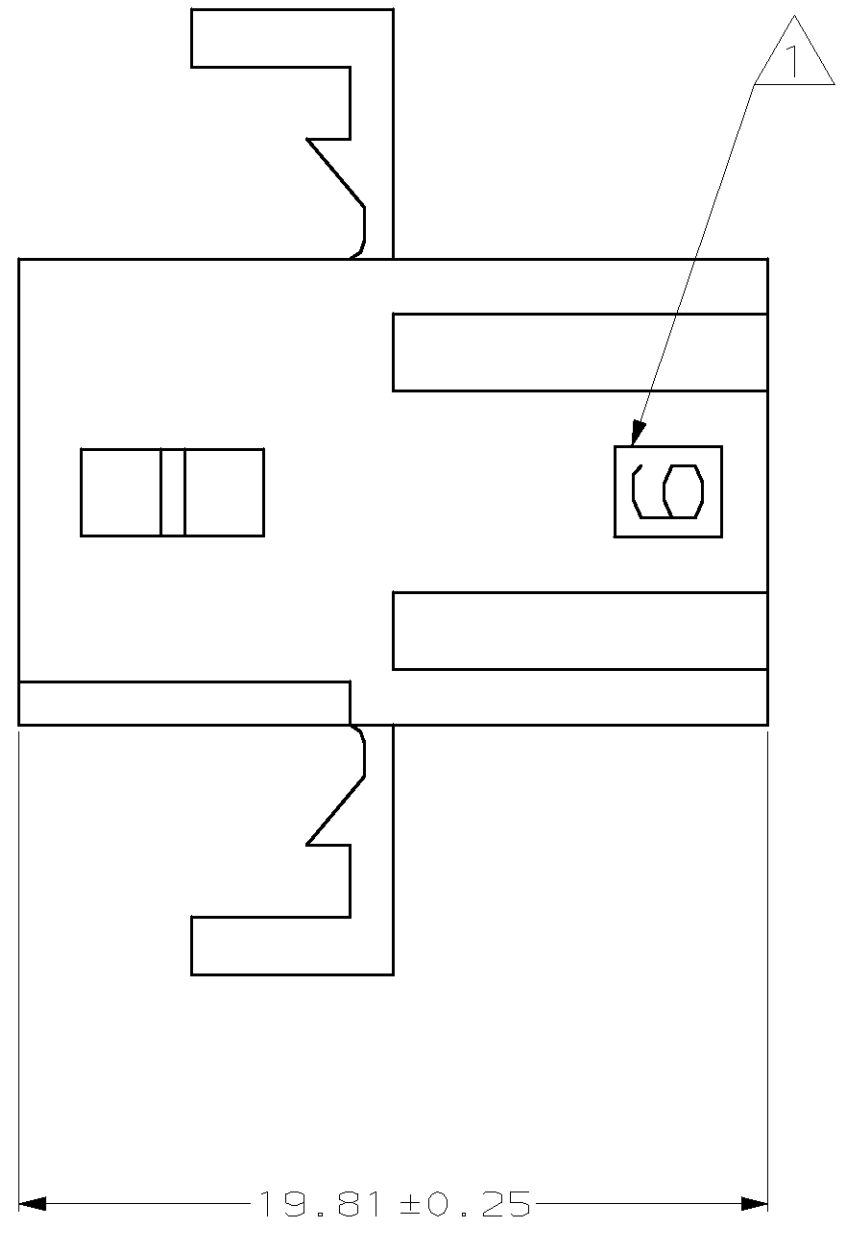
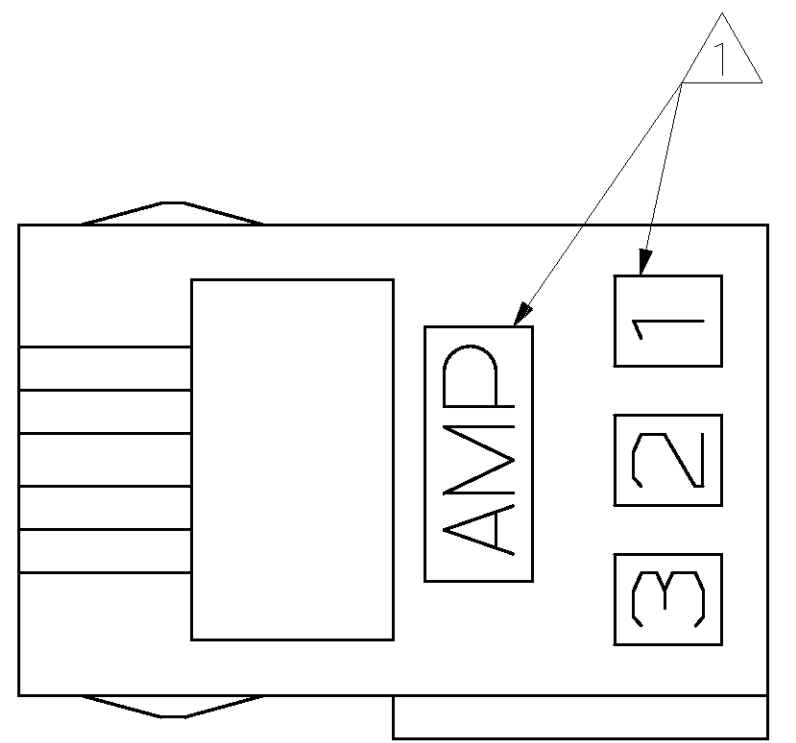


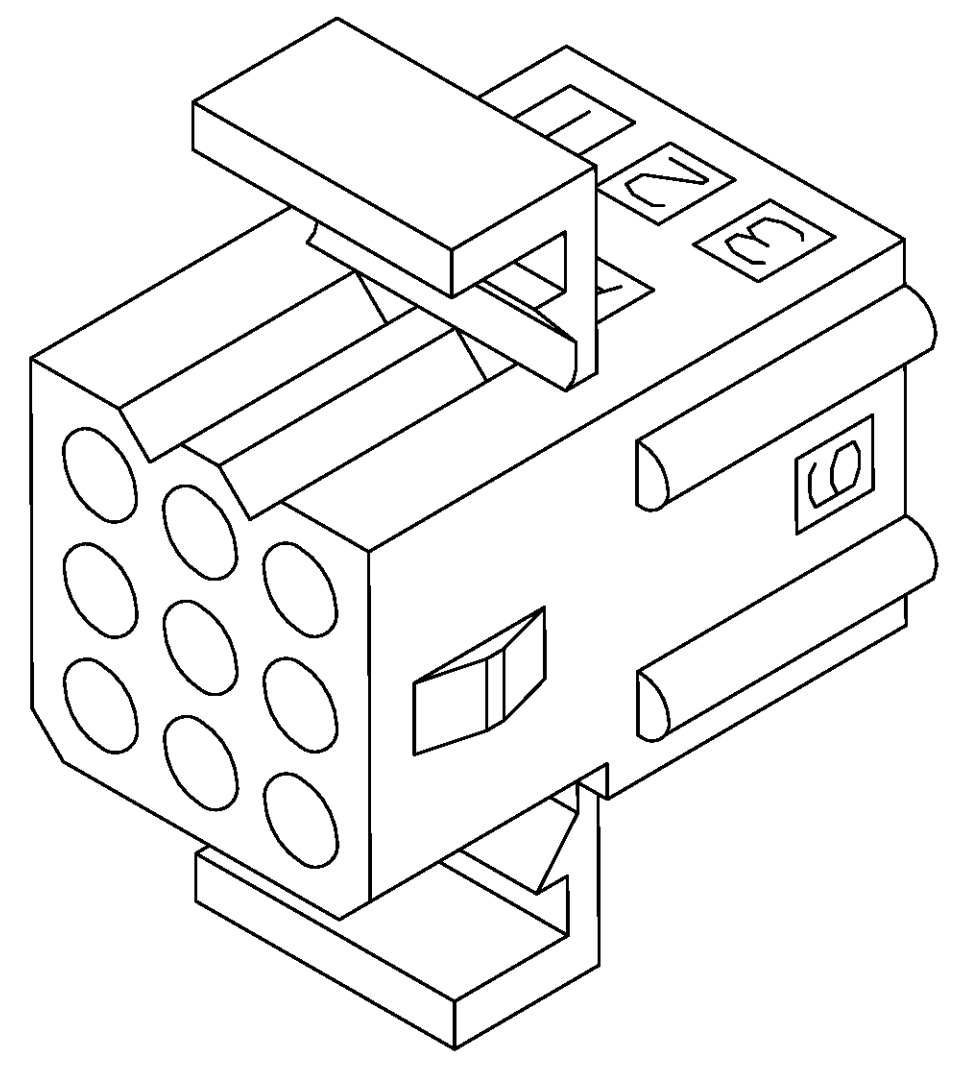
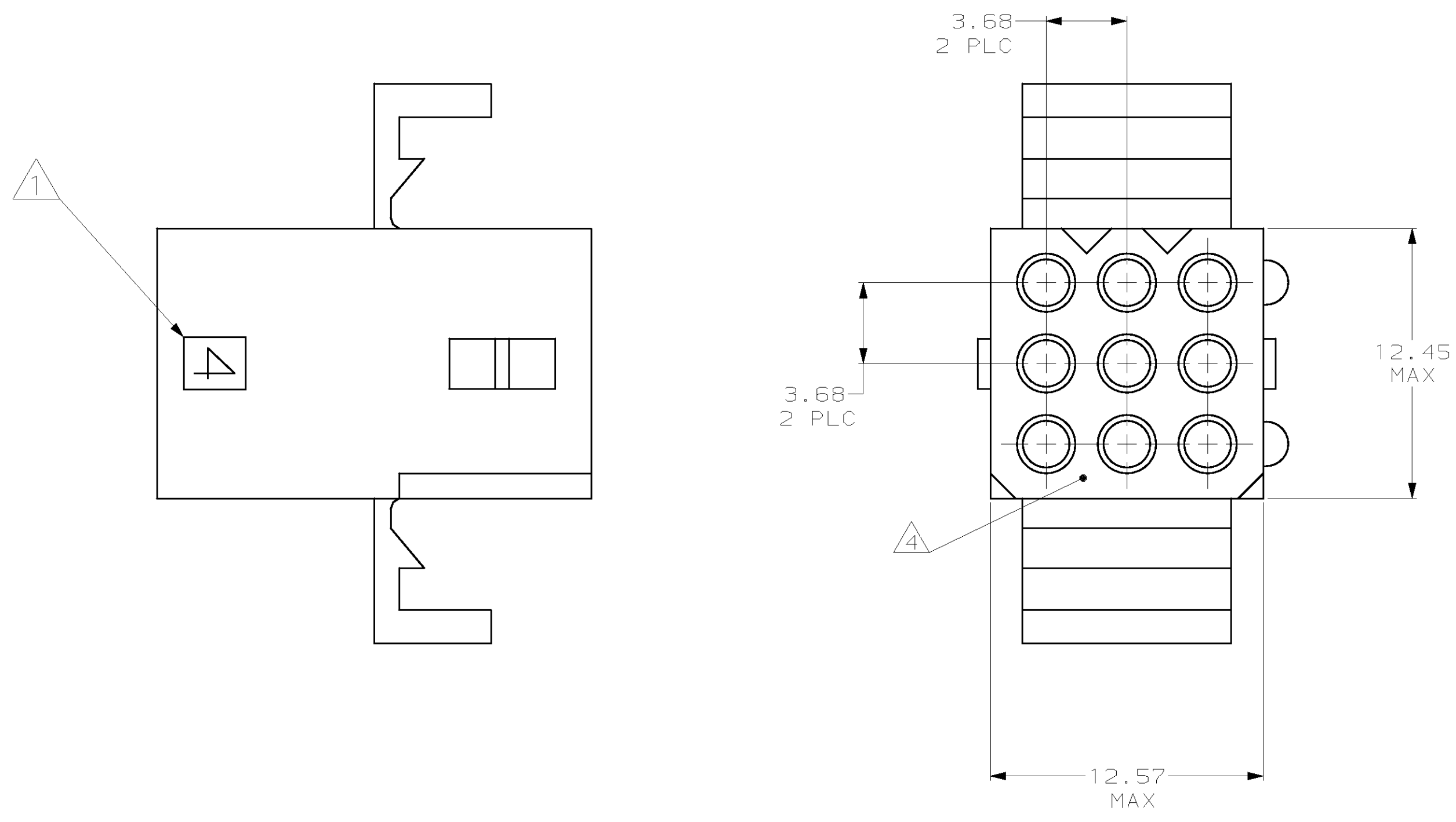
REV. NO.		REVISIONS			
LOC	QTY	TR	DATE	OWN	APVD
CM	53	C	REV & REDWN PER EC 0L30-0214-97	10-20-97	KW R5

- ① AMP LOGO AND CIRCUIT NUMBERS LOCATED APPROXIMATELY AS SHOWN.
- ② CSA LOGO AND UL LOGO LOCATED ON THIS SURFACE.
- ③ CIRCUIT NUMBERS MAY OR MAY NOT APPEAR.
- ④ AMP LOGO MAY OR MAY NOT APPEAR ON THIS SURFACE.



RECOMMENDED CUT OUT FOR 1.52 MAX THICK PANEL

770427-1
PART NUMBER



3-DIMENSIONAL MODEL NTS

MM	IN	MM	IN
3.68	.145	25.53	1.005
1.58	.062	19.81	.780
1.52	.060	16.51	.650
0.38	.015	14.02	.552
0.25	.010	12.57	.495
0.13	.005	12.45	.490

CONVERSION TABLE

METRIC

THIS DRAWING IS A CONTROLLED DOCUMENT.

DIMENSIONS:	TOLERANCES UNLESS OTHERWISE SPECIFIED:	DWN: K. WHITAKER 10-20-97	AMP Incorporated Harrisburg, PA 17105-3608
mm	0.13	CHK: R. SWING 10-20-97	AMP
0.13	±0.13	APVD: J. CORLE 10-20-97	RECEPTACLE, PANEL MOUNT, 9 CIRCUIT, .062 PIN AND SOCKET
MATERIAL: NYLON, JL 94V-2, NATURAL	FINISH: -	HEIGHT: -	SIZE: A1 007799-770427
CUSTOMER DRAWING		SCALE: 5:1	SHEET 1 OF 1 REV C